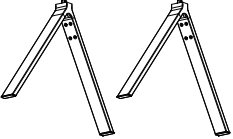
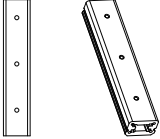




110 Inch Stand
User Manual



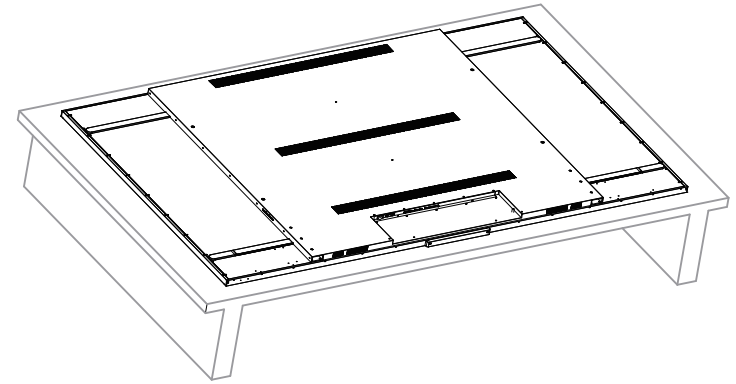
Packing List

 Stand x2	 Connector x2
 M5*25 Screw x8	 M6*20 Screw x6
110 Inch	

110 Stand Installation

Step 1:

Put the Display on a safe flat table as figure shown



Step 2:

- 1.Put the connector into the stand with M5 Screws(4 pcs for each)
- 2.Fix the stand to the wholes of the display by M6 Screws(3 pcs for each)

